

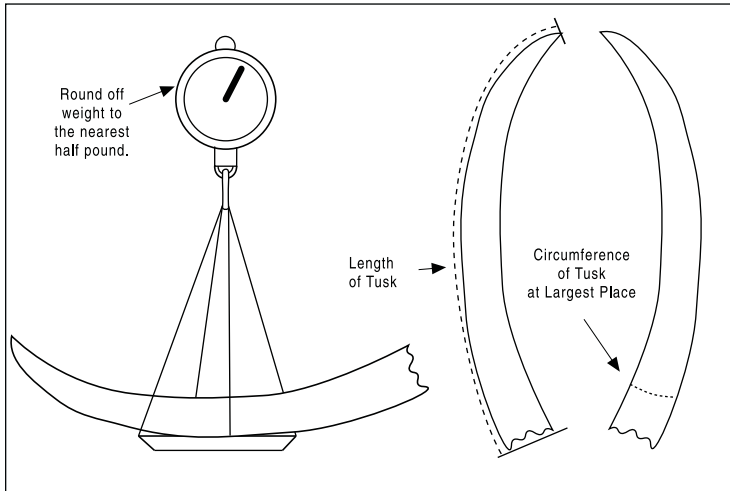


SAFARI CLUB INTERNATIONAL

METHOD 14

ENTRY FORM

For elephant tusks



Hunter _____
How you want your name to appear in the Record Book

Membership No. _____ Phone _____

e-mail _____

Address _____

I certify that, to the best of my knowledge, I took this animal without violating the wildlife laws or ethical hunting practices of the country or province in which I hunted. I also certify that, to the best of my knowledge, the laws of my country have not been violated by my taking or importing this animal.

Free-ranging Yes No **(REQUIRED)**

Signature _____

The acceptance or denial of all entries are at the discretion of Safari Club International, its Board and committees. Entries are subject to review by the Record Book Committee of SCI at any time. All photos and entries submitted to SCI become SCI's property.

Submit to: Safari Club International 4800 W. Gates Pass Rd., Tucson, AZ 85745 USA

Active SCI Membership Required to submit an entry

- 1st Entry Free** (Only for members who have never submitted an entry)
- \$35 R.B. Entry Fee
- \$45 R.B. Entry Fee & photo upload to the Online Record Book
- \$80 R.B. Entry Fee & Medallion Award
- \$90 R.B. Entry Fee, Medallion Award & photo upload to the Online Record Book
- \$135 R.B. Entry Fee, Photo Medallion & photo upload to the Online Record Book, **BEST Value, \$25 savings**

New Membership Offer Domestic / International
 1 Year New Membership Only \$35 / \$60

Membership Renewal Domestic / International
 1 Year Membership \$65 / \$90
 3 Year Membership \$150 / \$225

Membership - Digital Publications Only
 1 Year \$35 All Countries
 3 Year \$60 All Countries

To enter into Record Book and/or purchase a Medallion:

- 1) All entries must be complete, signed by hunter and accompanied by fees and photographs of the trophy.
 - 2) Field photos must be submitted in order to process the entry.
 - For animals with branched antlers: include enough photos so that all tines are clearly visible
 - 3) **Clearly label back of photo with hunter's name, species name, and date taken**
- We Accept: MC Visa AMX Discover Diners Club

Card Number _____ Expiration Date _____

US Currency only. Credit Cards Preferred

Animal _____

Remeasurement? Yes No Former Score _____ Record No. _____

Date Taken _____
Month / Day / Year

Rifle Handgun Muzzleloader Bow Crossbow Picked Up

Place Taken _____
Country State or Province

Locality _____
(GMU, Mtn Range, Ranch, City, Town)

Guide _____ Hunting Co. _____

I. Weight of Tusk L _____ /2 lb. R _____ /2 lb.

II. Total Score

/2 lb.

Supplemental Information

Length of Tusk

L _____ inches R _____ inches

Circumference of Tusk at Largest Place

L _____ inches R _____ inches

Measurer _____

Signature _____

Date Measured _____ Measurer No. _____
Month / Day / Year

E-mail _____